

# Face - TM900

## Face & Palm Verification and Body Temperature Detection System



Wide Pose Angle Acceptance



Wide Palm Pose Angle Acceptance



Touchless for Better Hygiene



Temperature Detection



Masked Face

### Features :

- Visible Light Facial Recognition
- Better hygiene with touchless biometric authentication, temperature detection and masked individual identification
- Anti-spoofing algorithm against print attack (laser, color and B/W photos), videos attack and 3D mask attack
- Multiple Verification Methods: Face / Palm / Fingerprint / Card / Password

### Anti-epidemic Functions

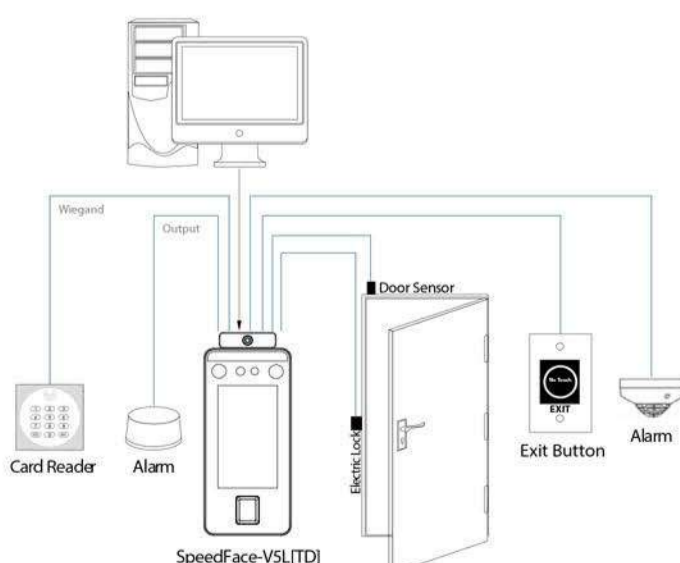
- Mask detection
- Body temperature detection
- Temperature Measurement Distance: 30 ~ 50cm (1 ~ 1.64ft)
- Temperature Measurement Accuracy:  $\pm 0.3^{\circ}\text{C}$
- Temperature Measurement Range: 34 ~ 45°C (93.2 ~ 113°F)

\* Facial verification for masked individuals will increase FAR. Palm verification for masked individuals is recommended. Temperature measurement data is for reference only, not for medical use. SpeedFace-V5L[TD] is available for indoor environments without wind or direct sunlight.

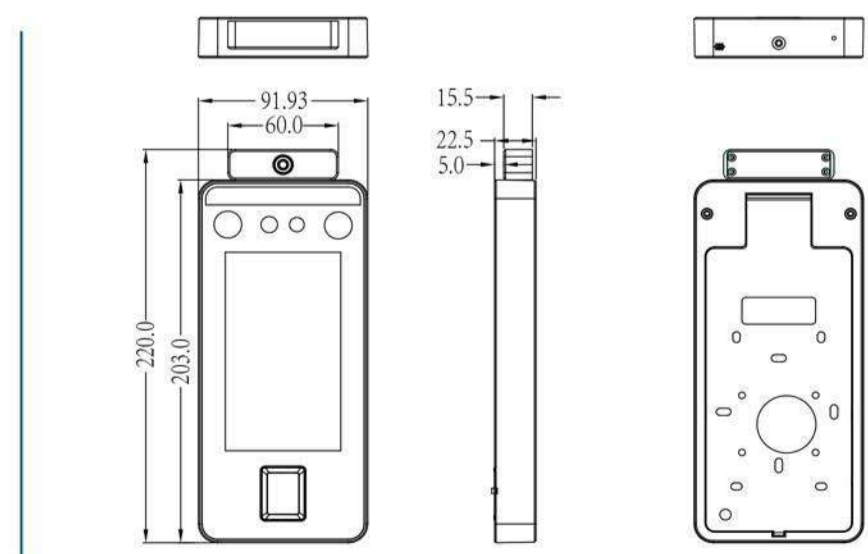
### Specifications

Display	5-inch Touch Screen
Face Capacity	6,000
Palm Capacity	3,000
Fingerprint Capacity	6,000 (Standard); 10,000 (Optional)
Transactions	200,000
Operation System	Linux
Standard Functions	ADMS, T9 Input, DST, Camera, 9-digit User ID, Access Levels, Groups, Holidays, Anti-passback, Record Query, Tamper Switch Alarm, Multiple Verify Modes.
Hardware	900MHz Dual Core CPU, Memory 512MB RAM / 8G Flash, 2MP WDR Low Light Camera, Adjustable Light Brightness LED
Communication	TCP/IP, WiFi (Optional), Wiegand input / output, RS485
Access Control Interface	3rd Party Electric Lock, Door Sensor, Exit Button, Alarm output, Auxiliary Input
Facial Recognition Speed	$\leq 1\text{s}$
Biometrics Algorithms	Face V5.8 & Finger V10.0 & Palm V12.0
Power Supply	12V 3A
Operating Humidity	10% - 90%
Operating Temperature	16°C ~ 32°C (60.8°F ~ 89.6°F)
Dimensions (W*H*D)	91.93 * 220 * 22.5 (mm)

### Configuration



### Dimensions (mm)



Disclaimer: Brief specifications are mentioned here. Specifications may change without prior notice. Customers are advised to check with us before purchase. Actual product may differ slightly to that depicted for ongoing product development.

Visit Us at: [www.esslsecurity.com](http://www.esslsecurity.com)